

Green Line Laser LC-LML-515-01-03-TM-C

Ø 11.5 mm, 515 nm Laser Line Generator

Features

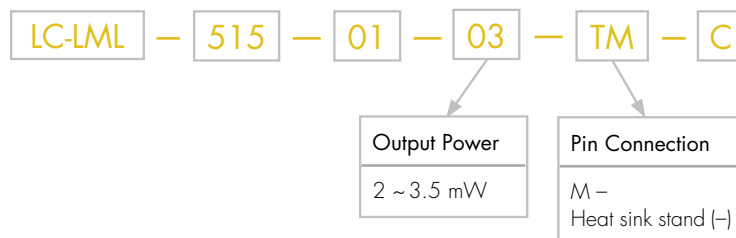
1. APC (auto power control) IC inside
2. Glass Lens
3. High brightness
4. Better line quality

Application

1. Industrial laser line marks
2. Measuring instruments
3. Laser leveling



Part No. Indications



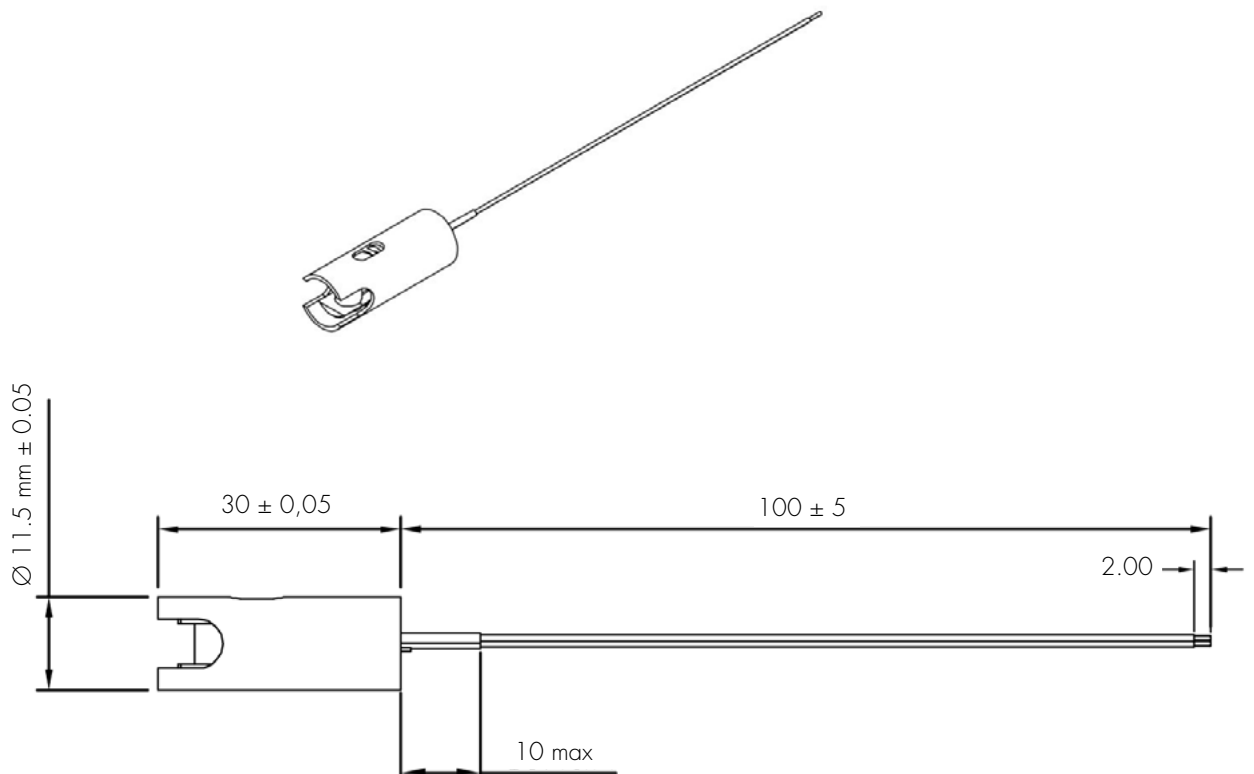
Absolute Maximum Ratings

Item	Symbol	Rating	Unit
Power supply voltage	V_{CC}	7	V
Laser optical output power	P_o	4	mW
Operation temperature	T_{opr}	-5 ~ 50	°C
Storage temperature	T_{stg}	-40 ~ 75	°C

Electrical and Optical Characteristics ($T_c = 25\text{ }^\circ\text{C}$)

Item	Symbol	Min.	Typ.	Max	Unit	Condition
Wavelength	λ	510	520	530	nm	$P_o < 3\text{ mW}$
Output power	mW	2	-	3.5	mW	$V_{cc} = 6\text{ V}$
Operation current	I_{op}	-	-	100	mA	$P_o = 3\text{ mW}$ $V_{cc} = 6\text{ V}$
Operation voltage	V_{op}	-	6	6.5	Volt	
Emitting angle				$> 120^\circ$		

Outline Dimensions (Units: mm)



Red wire: V_{cc}
Black wire: GND

Laser Safety Precautions

1. Do not look into the laser beam directly by eyes. The laser beam may cause severe damage to human eyes.
2. Optical Lens is made of glass. Do not contaminate lens by soiling, oil or chemical.